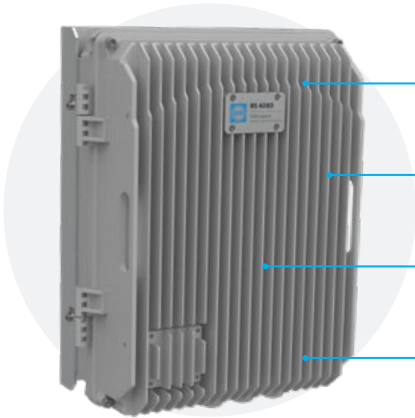




Novalink RS-Series Outdoor Aggregation Switch

Aggregate Everything, Everywhere

WISI's innovative Novalink Outdoor Aggregation Switch is meticulously crafted to cater to the needs of network providers leveraging 1G/10G/25G and 100G interfaces for seamless interconnection and aggregation of devices within their network.



- Assists with capacity planning - push convergence ports out further to the edge
- SFP support provides for bandwidth growth plan, evolve from 1G to 10G to 25G for downstream ports
- Hardened outdoor enclosure, passively cooled, maintenance free with no moving parts
- Extended range - no need to build or maintain repeaters

Why Choose WISI's Outdoor Aggregation Switch?

- ✓ Extended Reach, 100G QSFP Coherent Optics Uplink - Cover longer distances with high-performance 100G uplink bandwidth
- ✓ Save on Reconfigurable Optical Add-Drop Multiplexer (ROADM) resources
- ✓ Future-Ready Architecture - Network Function Virtualization (NFV) and Software-Defined Networking (SDN) for adaptable, scalable networking
- ✓ Compact and Durable - Ultra-low footprint with the highest Ingress Protection rating for outdoor use
- ✓ Effortless Node Aggregation - Easily aggregate multiple nodes in the field for streamlined management

Applications

- ✓ Mobile backhaul
- ✓ Mobile Antenna (eCPRI) aggregation
- ✓ Outdoor Ethernet aggregation
- ✓ Remote-MAC/PHY node aggregation
- ✓ B2B ethernet services
- ✓ PON OLT conversion



Novalink RS-Series Outdoor Aggregation Switch Aggregate Everything, Everywhere

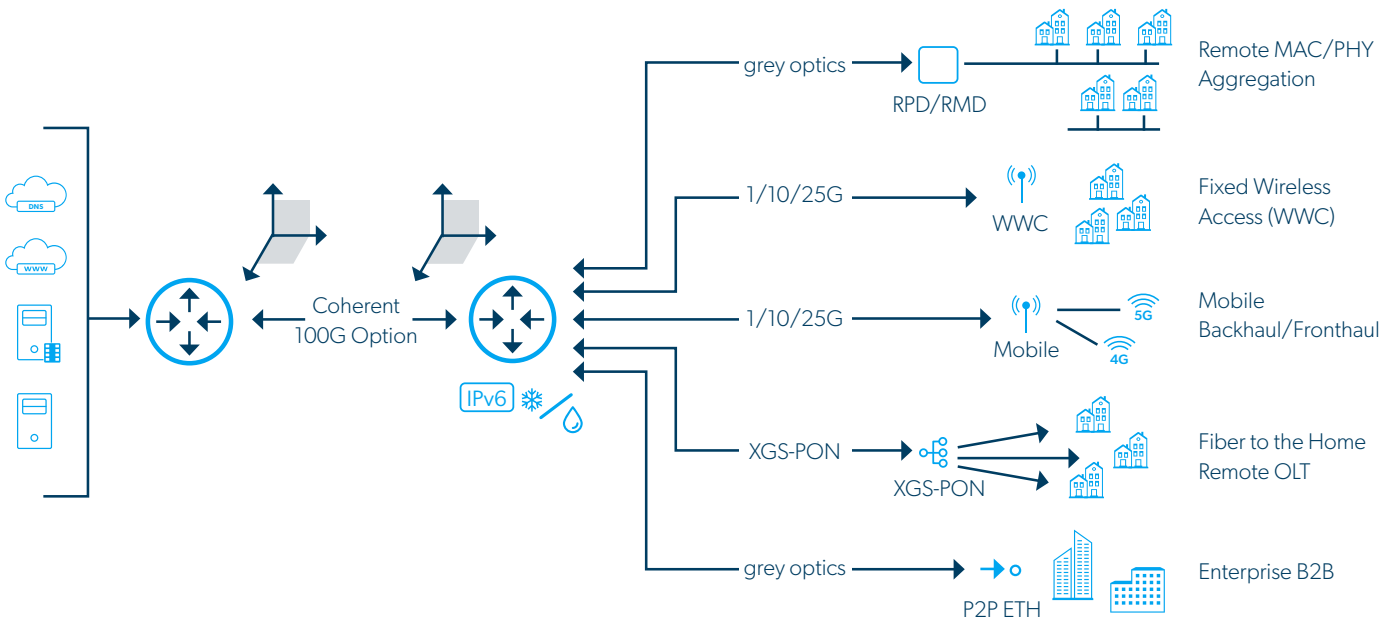
How it Works

In the realm of distributed network architecture, facing limitations with conventional 19" rack units in outdoor settings and their lack of non-blocking aggregation, the Novalink Outdoor Aggregation Switch emerges as a game-changer.

With just a single existing fiber connection, the switch seamlessly replaces a lone Remote-PHY node, utilizing a 100G link on fiber. It delivers significantly larger bandwidth over longer distances and also transforms the once-isolated location into a thriving aggregated facility. The Novalink accommodates additional R-PHY nodes, high-bitrate PON residential customers, and Point-to-Point Ethernet business customers—all seamlessly connected through the pre-existing trunk fiber.

The versatility of the Outdoor Aggregation Switch goes beyond the basics. Even the most straightforward aggregation tasks for operators or smaller entities become hassle-free, thanks to its robust IP rating. This ensures that the switch exceeds the demands of diverse network environments, providing a reliable solution for various applications. Elevate your network capabilities with WISI's cutting-edge Outdoor Aggregation Switch—where efficiency meets innovation.

Access Network Convergence using the Novalink RS-Series Outdoor Aggregation Switch



Key Features

- ✓ Extend Fiber with 8 SFP28 Ports - Seamless single fiber extension
- ✓ Versatile Uplink Choices - Opt for non-redundant 100 Gbps or redundant 2x25 Gbps
- ✓ High Bitrate, Non-Blocking Aggregation - Achieve 300 Gbps switching capacity
- ✓ Optional MACSec for Added Security - Enhance security with Layer 2 Encryption (MACSec)
- ✓ TSN-Ready Design - Prepared for optimal Time-Sensitive Networking (TSN) performance
- ✓ XGS-PON OLT Conversion - Transform SFP28 ports into XGS-PON OLT ports for expanded connectivity (pluggable OLT required)
- ✓ Integrated fiber management tray



Novalink RS-Series Outdoor Aggregation Switch Aggregate Everything, Everywhere

Specifications

The Novalink Outdoor Aggregation Switch is offered in two models: the RS4060 with 6 ports or the RS4080 with 8 ports, each SFP28 port supports a 10G pluggable OLT, enabling seamless XGS-PON network deployment. Compatible with diverse R-PHY or R-MACPHY devices including WISI's LR41 and LR45 Remote-PHY nodes, Ethernet gateways, and mobile backhaul scenarios, the Outdoor Aggregation Switch is highly versatile.

Interfaces	
UNI & redundant NNI option	Type: SFP28 Quantity: 8 Ports (RS4080) / 6 Ports (RS4060) Speed: 1G/10G/25G
NNI	Type: QSFP-DD (RS4080) / QSFP28 (RS4060) Quantity: 1 port Speed: 100G
LMT Serial	Serial port used for local management
LMT Ethernet	Used for local and separated remote management Port: RJ45 Speed: 1000 Base-T Ethernet Usage: Out-of-Band management
USB Interface	Mass storage device support USB type: USB-A
Timing Support	Transparent PTP (RS4060) Full timing support* (T-GM**, T-BC and T-TSC) (RS4080)

General Data	
Housing	15.2 in x 12.1 in x 7.4 in (RS4080) 11.9 in x 11.3 in x 4.8 in (RS4060)
Supply Voltage	110...230 VAC, -48 VDC, 27...90 VAC *
Operating Temperature	-25° – +55°C
IP Rating	IP 66
Power Consumption	<65 W (RS4080) <45 W (RS4060)

* product variant ** sold separately



Why WISI?

- ✓ Work with a world pioneer in telecommunications technology, founded in 1926
- ✓ Experience a customer-first culture focused on the needs of video operators
- ✓ Utilize local technical support, certified by the SCTE as digital video engineering professionals
- ✓ Rely on our healthy supply chain - we own our manufacturing and production facilities

To arrange an online demonstration or to discuss your project, please send a request to sales@wisiamerica.com

We're here to help +1 855 998 4665 • wisigroup.com • sales@wisiamerica.com